

## EUTERM AVH 900

Length	<b>2000</b>	<b>4000</b>	<b>6000</b>	[mm]
Width	900	900	900	[mm]
Number of tubes	9	9	9	No.
Tubes diameter	22.0	22.0	22.0	[mm]
Thermal output with $\Delta t$ 40 °C		355		[W/m]
Thermal output with $\Delta t$ 60 °C		576		[W/m]
Thermal output with $\Delta t$ 80 °C		811		[W/m]
Weight without water	27.4	54.8	82.2	[kg]
Water content	5.4	10.8	16.2	[kg]

## EUTERM AVH 900 HEADERS

Header length	900	[mm]
Number of tubes	9	No.
Inlet/outlet connection	1" M	
Air vent/water discharge	3/8" F	

### STANDARD HEADER

Number of inlet/outlet tube connections	1	No.
Number of connections for venting emptying	2	No.
Weight without water	3.2	[kg]
Water content	1.9	[kg]

### BLIND HEADER

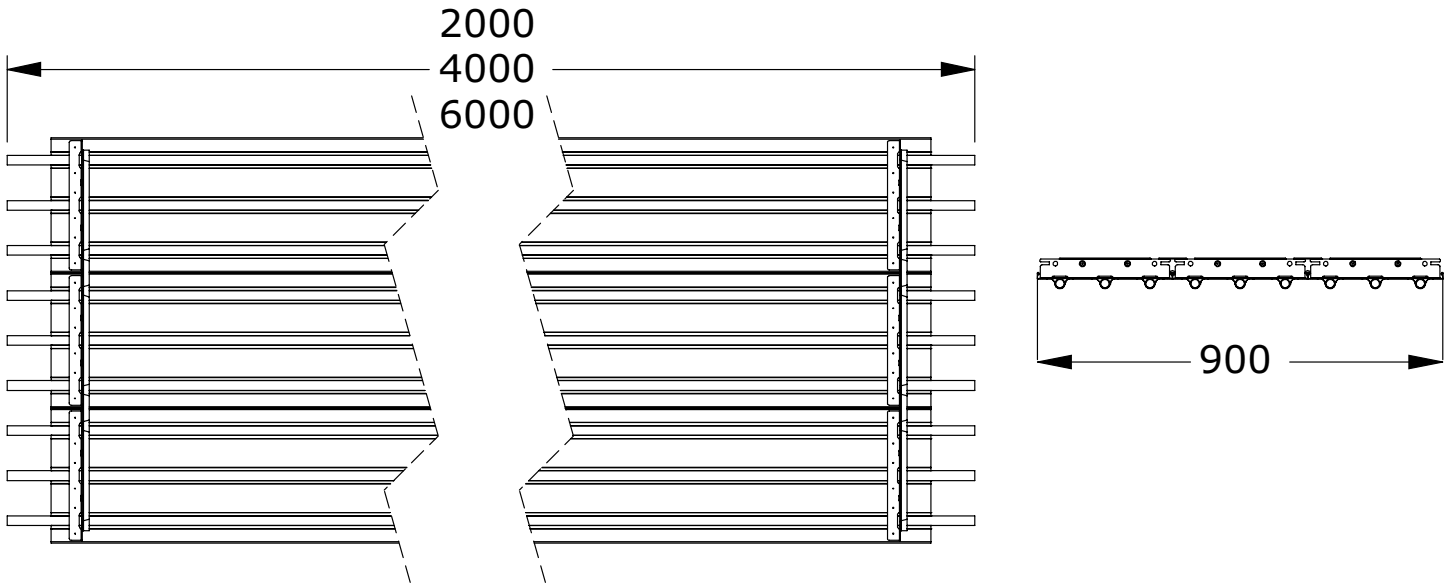
Number of inlet/outlet tube connections	-	No.
Number of connections for venting emptying	2	No.
Weight without water	2.9	[kg]
Water content	1.9	[kg]

### DIAPHRAGMED HEADER

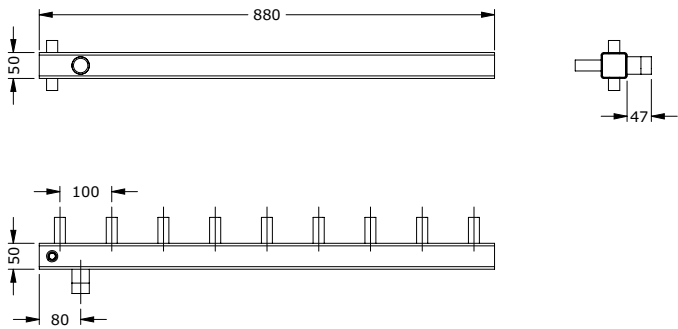
Number of inlet/outlet tube connections	2	No.
Number of connections for venting emptying	4	No.
Weight without water	3.5	[kg]
Water content	2.0	[kg]



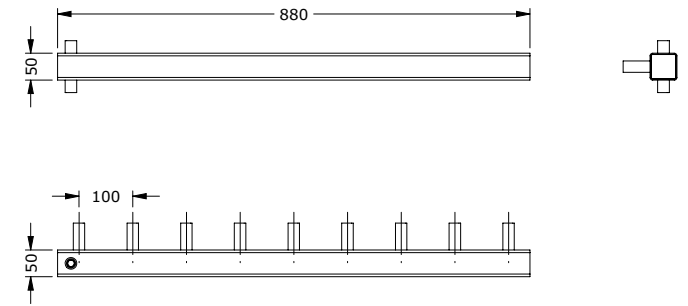
**DIMENSIONS**



**Standard header**



**Blind header**



**Diaphragmed header**

